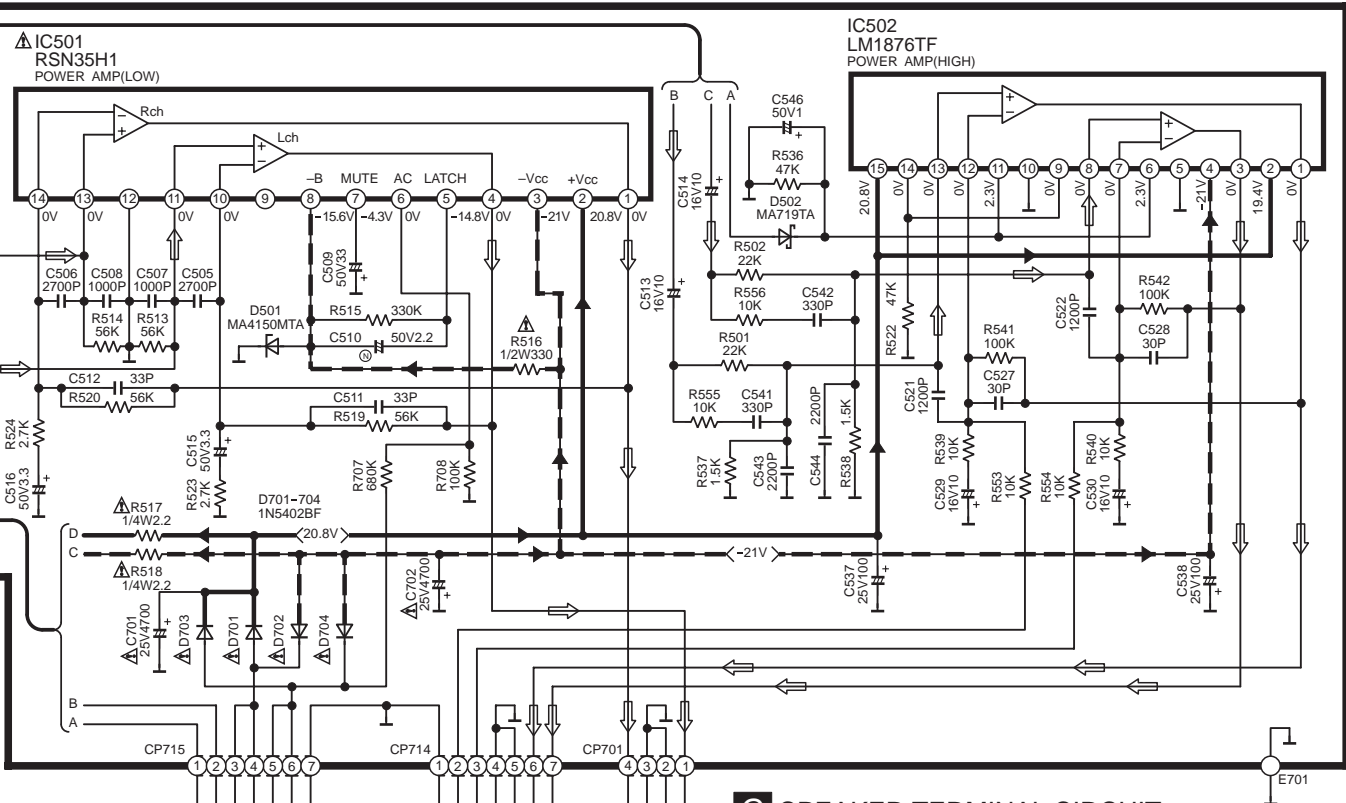


➔ : POSITIVE VOLTAGE LINE ➔ - - - : NEGATIVE VOLTAGE LINE ➔ : SOURCE SIGNAL LINE



G SPEAKER TERMINAL CIRCUIT

